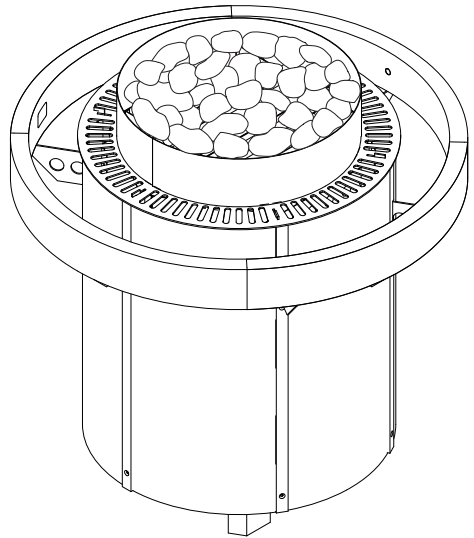


EOS Orbit

Sauna heater



Installation and operation manual

Made in Germany

CE UK EAC IPx4

Print no. 29024845 / 04.24
Technical changes reserved

Content

| | |
|---|-----|
| 1. General safety instructions..... | 4-9 |
| 2. Identification | 10 |
| ▪ Manufacturer, Copyright, Identification and Product Information | 10 |
| ▪ Intended use | 11 |
| ▪ Foreseeable misuse | 11 |
| ▪ General information about sauna use | 12 |
| 3. Scope of delivery | 13 |
| 4. Technical Data..... | 14 |
| 5. Electrical Installation | 15 |
| ▪ Heating time limitation | 15 |
| ▪ Connection diagram 12-18 kW..... | 16 |
| ▪ Connection diagram 18 kW to Compact D18 | 17 |
| ▪ Connection diagram 21+24 kW | 18 |
| ▪ Inner wiring | 19 |
| ▪ Connecting the heater | 20 |
| 6. Installation | 21 |
| ▪ Requirements on site | 21 |
| ▪ Dimensions and safety gaps..... | 22 |
| ▪ Air inlet and outlet | 23 |
| ▪ Requirements for control unit and temperature sensor | 24 |
| 7. Mounting the optional cover protection rail..... | 25 |
| 8. Commissioning | 26 |
| ▪ Filling the rock store | 26 |
| ▪ Switching the sauna heater | 27 |
| ▪ Remote switching | 27 |
| ▪ Water splash | 27 |
| 9. Maintenance..... | 29 |
| ▪ Cleaning..... | 29 |
| ▪ Sauna stones | 29 |
| 10. Recycling | 31 |
| 11. Service address..... | 31 |
| 12. General terms and conditions of service | 32 |

1. General safety instructions

Safety levels

Safety instructions and important operating instructions are classified. Please familiarise yourself with the following terms and symbols:

WARNING

Warning

Indicates a hazardous situation which, if not avoided, could result in death or serious injury.

CAUTION

Caution

Indicates a hazardous situation which, if not avoided, could result in minor or moderate injury.

NOTICE

Notice

Indicates a hazardous situation which, if not avoided, will result in damage to the unit.

1.1 Mounting and electrical installation



These installation instructions are intended for qualified personnel familiar with the laws and regulations applicable to electrical installations at the installation site. Observe the following general safety instructions during mounting, configuration and commissioning of the product.

► Risk to life and limb and risk of fire

Risk to life and limb from electric shock and fire in the event of improper or faulty electrical connection. This risk remains also after completion of the installation work.

- The electrical installation of the heater, relay boxes and other electrical systems or equipment with a fixed mains connection must only be performed by a trained electrician from an authorised electrical company.
- Ensure compliance with the locally applicable standards and regulations for electrical installation.
- The system must be completely disconnected from the mains supply before commencing installation and repair work.
- The housing cover must only be removed by a specialist.

► Fire hazard from overheating

Insufficient ventilation can lead to device overheating and fire.

- Install air inlets and outlets in the cabin.
- Observe the cabin manufacturer's safety and installation instructions.

► Risk of fire due to sauna stones

It is possible for hot stones or stone pieces to fall out of the rock store.

- The sauna heater may not be placed on a floor made of easily flammable material (e.g. laminate or synthetic flooring). Ceramic tiles are recommended as a flooring option.

► Risk of burns from hot glass

Glass surfaces in the cabin become hot while the sauna is in operation.

- When installing the cabin, ensure that the touchable glass surfaces on the outside of

the cabin may reach a maximum temperature of 76°C. Appropriate protection may need to be installed if required.

► Risk of burns from hot unit

During operation, the sauna heater may become hot and, if touched, could cause burns.

- Maintain a safe distance.

► Sauna cabin and heater

The sauna cabin must be constructed with proper material and built in a professional manner, and the output of the sauna heater must be suited for the cabin.

- Sauna heaters and control units may only be used in sauna cabins made of suitable, low-resin and untreated material (e.g. Nordic spruce).
- Multiple heaters may be installed in one sauna if the heater output can properly supply the cabin volume. In this case, depending on the position, an additional safety temperature limiter must be installed for each additional heater.
- The sauna heater is not designed to be installed or set up in an alcove or under a bench or sloping ceiling unless the sauna heater is specifically designed and approved for this type of installation.
- Receptacles may not be installed inside the sauna cabin.
- Each sauna cabin must have air inlets and outlets. The air inlets and outlets may be installed below or behind the sauna heater, approx. 5 to 10 cm above the floor. The minimum dimensions of the air inlets and outlets can be found here: Technical Data, air inlets and outlets.
- The exhaust openings are always installed in the lower part of the wall diagonal to the sauna heater. The supply and exhaust openings must not be closed. Please observe the instructions provided by your sauna cabin manufacturer.
- Use one of the control units listed below to check and control the sauna heater. This control unit is fixed to a suitable location on the cabin's external wall, and the corresponding sensor housings according to the installation instructions that accompany the control units inside the sauna cabin.
- The cabin lighting must be safe for sauna cabin use and installed in such a way that

it can be used safely in a sauna cabin. Ensure that the heater is installed in compliance with the standards and legal norms valid in your country.

- The cabin door must open outward and must not have a lock that cannot be opened in the case of failure. We recommend magnetic or spring locks.
- All electrical installations and equipment in a sauna must comply with the IEC 60364-7-703 (DIN VDE 0100-703) norm.

1.2 Operator instruction

The operator of the sauna cabin must be instructed in the general safety instructions during commissioning. The operator must be given a copy of the operating instructions.

► Risk of electric shock

A risk to life and limb from electric shock and fire arises in the event of improper repair work. This risk remains also after work is completed.

- The housing cover must only be removed by a specialist.
- Repairs and installations must only be performed by a trained specialist.
- The system must be disconnected and removed entirely from the mains supply before commencing repair work.
- Use only original spare parts from the manufacturer.

► Fire hazard



Objects placed on the heater or protective guards can easily be ignited and cause fires.

- Attach the heater guard rail.
- Do not place objects on the heater.
- Fill the stone grate as directed.
- Inspect the sauna cabin prior to each commissioning.
- If you switch on the heater using pre-set timers or a remote control, attach a protective cover to the heater or install a suitable safety system.

► Health risks

Spending time in a sauna cabin can lead to serious health risks or even death for persons with health impairments.

- Persons with health impairments who spend time in a sauna must consult a doctor before entering a sauna cabin.

► Equipment damage due to overuse

If the cabin is used commercially, the heating time must be set so that the heater switches off automatically after a specific period of time.

- If the heating does not switch off automatically after a defined heating period, cabin use must be supervised at all times.
- Inspect the cabin before each use.

► Damage to health

Excessive time spent in a heated sauna cabin can lead to overheating of the body (hyperthermia), which may cause serious health problems and even death. Hyperthermia occurs when the core temperature of the body exceeds the norm by a few degrees.

Symptoms of hyperthermia include fever, dizziness, lethargy, sleepiness, and fainting. Side effects of hyperthermia include perception disorders, inability to recognize the need to leave the room, inability to identify imminent danger, harm to the foetus in the case of pregnant women, inability to physically leave the room and unconsciousness.

Alcohol, drugs, and medications increase the risk of hyperthermia.

- Do not exceed the maximum recommended time in the sauna.
- Leave the sauna cabin if your body responds abnormally to the heat or if you do not feel well.
- Avoid alcohol, drugs, and medications when you are using the sauna.

► Operation by children or persons with reduced mental capacity

This unit should not be used by children or persons with reduced mental capacity or limited physical or sensory abilities. Children must not play with the unit.

- Cleaning and user maintenance must not be performed by children.

- Children must be supervised to ensure they do not play with the unit.

1.3 Standards and regulations

For an overview of the standards that were observed during design and construction of the sauna heaters, please refer to the individual product's technical data sheet that can be downloaded from www.eos-sauna.com.

2. Identification

2.1 Manufacturer

EOS Saunatechnik GmbH
Schneiderstriesch 1
35759 Driedorf, Germany

Tel.: +49 2775 82-0

Fax: +49 2775 82-431

2.2 Copyright

Copyright for these installation instructions remains with EOS Saunatechnik GmbH.

Copyright as per DIN ISO 16016:

The copying and distribution of this document, as well as the use and communication of its contents without express authorisation, are not permitted. Compensation will be claimed in the event of infringements. All rights reserved with regard to patent claims or submission of design or utility patent.

2.3 Product identification

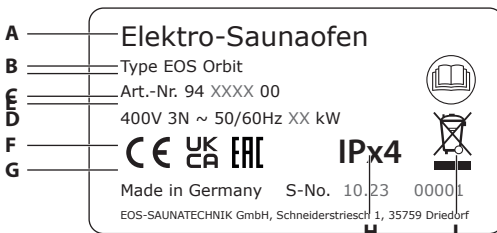
Model name:

EOS Orbit

2.4 Product information

► Nameplate

The nameplate is attached on the rear side of the heater (terminal box).



- A** Name
- B** Model
- C** Item number
- D** Electrical connection
- E** Approvals
- F** Country of origin
- G** Manufacturer
- H** Manufacturing date
- I** Serial number

2.5 Intended use

This heater is intended solely for the purpose of heating sauna cabins, together with a suitable control unit and two relay boxes.

EOS Orbit is a free-standing heater that is suitable for commercially used cabins.



The heater is not suitable for outdoor use.

It must be operated only in sauna cabins and may not be exposed to environmental conditions such as extreme humidity and moisture or the possible formation of condensation or corrosive substances in the ambient air, as well as other weather conditions.

Any use beyond this is considered improper use. Proper use also includes compliance with operating, maintenance and servicing requirements. The manufacturer is not responsible for unauthorised modifications and damages resulting from these modifications; the person modifying the equipment alone shall bear the associated risk.

2.6 Foreseeable misuse

The following are considered instances of foreseeable misuse:

- The unit is operated without knowledge of or compliance with the safety instructions.
- Operating, service and maintenance requirements are not observed.
- The unit is operated by children or persons with reduced mental capacity or by persons who have not been thoroughly instructed in its use.
- The unit is operated without sauna stones or with a rock store that is not filled as directed.
- The heater power does not match the sauna volume.
- The unit is operated with insufficient air supply or exhaust air.

2.7 General instructions

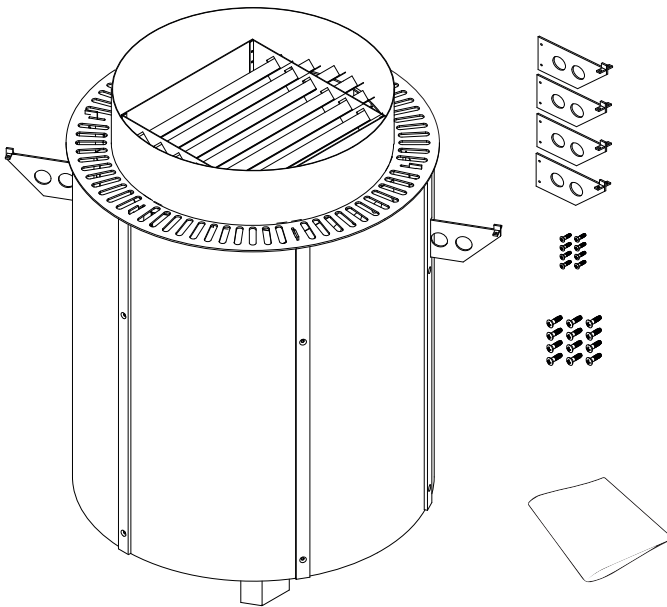
- Please note that an optimal sauna climate can be achieved only if the cabin with its air inlets and outlets, the sauna heater, and the control unit suit each other.
- Observe the specifications and information provided by your sauna retailer.
- Please note that the highest temperatures in the cabin are always above the sauna heater and that is where the temperature sensor and safety temperature limiter should be mounted according to the installation instructions for the control units.
- The sauna heaters heat the sauna cabin with heated convection air. Fresh air is drawn in through the air inlet. It is warmed and rises (convection) and is then circulated in the cabin. Some of the used air is pushed out of the cabin through the cabin's air outlet. This creates a typical sauna climate in your sauna.
Note that there is a drop in temperature from the ceiling to the floor of the sauna cabin. Temperatures are measured and regulated based on the ceiling values. Thermometers placed below the ceiling will therefore display lower temperatures. When the max. temperature is set for the area around the upper sauna bench, the bathing temperature is typically between 80°C and 90°C.
- The first time the cabin is heated, you may notice a slight odour resulting from the evaporation of consumables used in the manufacturing processes. Air out your cabin once it has been heated and before using the sauna.

3. Delivery scope

Check the unit upon delivery to ensure that all components were delivered and that it is in proper working order. Contact your distributor if components are missing or damaged. The unit must not be operated if components are missing or damaged.

The following parts are included in the scope of delivery:

- 1 Sauna heater with 2 pre-assembled mounting brackets for heater protection
- 4 mounting brackets (enclosed separately) for the optional heater guard
- Polybag with:
 - 8x fixing screws for mounting brackets
 - 12x fixing screws for heater guard
- 1 Installation and operation instructions



4. Technical Data

| | | | | | |
|--------------------------------------|--|------------------------|------------------------|------------------------|------------------------|
| Heater power as per DIN | 12 kW | 15 kW | 18 kW | 21 kW | 24 kW |
| Electrical connection | 400 V 3N ~ 50/60 Hz | | | | |
| For sauna volume | 14 - 18 m ³ | 18 - 25 m ³ | 24 - 30 m ³ | 30 - 34 m ³ | 35 - 40 m ³ |
| Minimum size of air inlet and outlet | 50 x 8 cm | | 50 x 8 cm | | 50 x 10 cm |
| Weight, without stones and packaging | ca. 54 kg | | ca. 55 kg | | |
| Heater dimensions, H x W x D | Ø 62 x 92 cm | | | | |
| Stone volume | ca. 40 kg, Körnung 100-150 mm (nicht im Lieferumfang enthalten) | | | | |
| Power extension (PEB unit) | PEB 10 | | PEB 18 | | |
| For use with the sauna control units | EOS Econ-Serie, Compact-Serie, EmoTec -Serie, EmoStyle-Serie, EmoTouch-Serie | | | | |
| Leakage current | max. 0.75 mA per kW heater output | | | | |
| Intended use / area of application | Sauna heater for commercial sauna cabins. | | | | |
| Fuse protection for control unit | 3 x 16 A | | | | |
| Fuse protection for PEB unit | 3 x 16 A | | | 3 x 35 A | |
| Connection mains – control unit | 5 x 2,5 mm ² | | | | |
| Connection mains – PEB unit | 5 x 2,5 mm ² | | | 5 x 6 mm ² | |
| Connection control unit – heater | 5 x 1,5 mm ² | | | | |
| Connection PEB unit – heater | 5 x 1,5 mm ² | | | 5 x 6 mm ² | |
| Connection control unit – PEB unit | 4 x 1,5 mm ² | | | | |

All line cross-section specifications are the minimum cross-sections for the copper line.

* Depending on the installation site and structural conditions, forced ventilation must be provided.

► Accessories (optional)

The special design ring-shaped heater guard rail for Orbit heater is optionally available in 270° and 360° versions in various wood sorts.

Models:

| Wood sort | Model | Item no. |
|-----------|-------|----------|
| Abachi | 270° | 946890 |
| Abachi | 360° | 946896 |
| Walnut | 270° | 946894 |
| Walnut | 360° | 946900 |

5. Electrical installation

This chapter describes how to connect the EOS Orbit to a sauna control unit and to a power extension unit.

5.1 General instructions for electrical installation

Ensure that electrical installation is performed in compliance with the standards and legal norms valid in your country.

Following norms must be observed by the installation of sauna heating appliances:
IEC 60364-7-703 bzw. DIN VDE 0100 Teil 703

This standard states in its current edition under amendments paragraph 703.412.05 as follows:

“The additional protection must be provided for all current circuits of the sauna by one or more fault current protection devices (RCDs) with a rated differential current not exceeding 30 mA, except for sauna heaters.”

If a residual current device (RCD) is installed, ensure that there are no other electrical consumers not belonging to the sauna system which are fused via this RCD.

If the sauna heater has not been used for an extended period of time, the heater may draw moisture from the ambient air, which, in rare cases, could lead to the RCD to be tripped. This is a physical process and not a fault on the part of the manufacturer.

In this case, the heater must be heated by a technician under supervision which will bypass the RCD function. Once the moisture has escaped from the heating elements after approx. 10 minutes, the RCD can be integrated again in the electric circuit.

If the sauna heater will not be used for an extended period of time, we recommend that you switch on the heater every 6 weeks so that the heating elements do not accumulate moisture. If, during commissioning, the RCD is triggered, the electrical installation must be checked again.

The electrician is responsible for properly connecting the heaters; thus, the manufacturer does not assume liability.

5.2 Heating time limitation

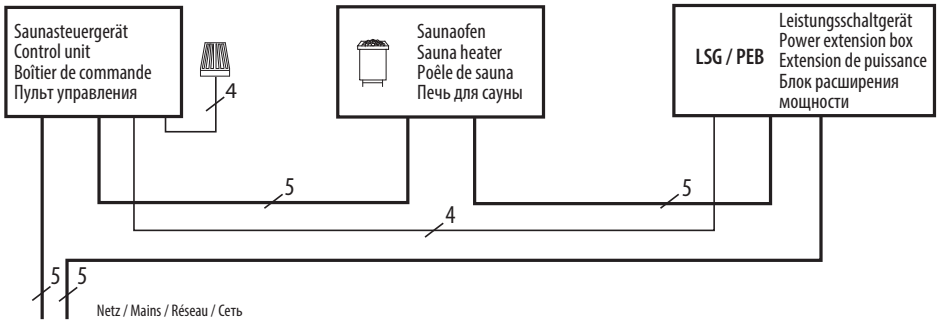
► Heating time limitation operation principle

All sauna heaters, except for those installed in public saunas, and which must be operated under the supervision of staff, must be equipped with a timer that complies with IEC and EN standards, which limits the operating time for safety reasons. This timer is typically already integrated in all EOS sauna control units.

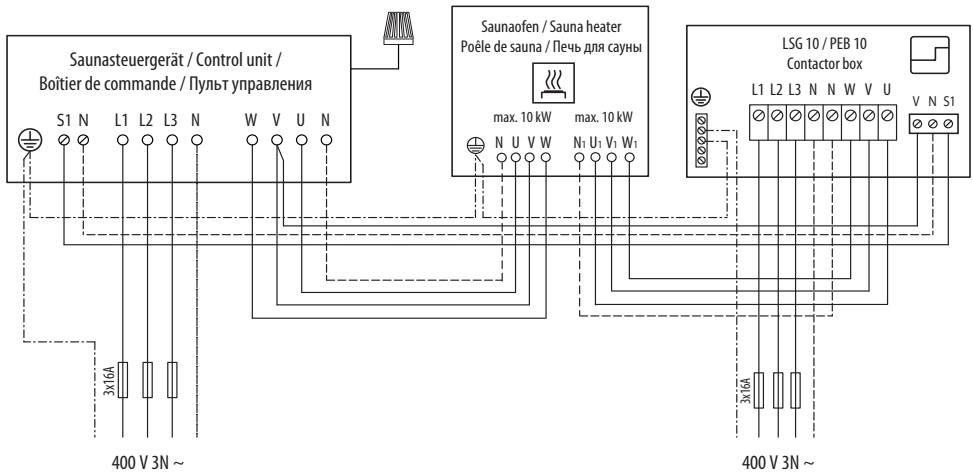
- The operation time of a public sauna must be limited so that the heating elements are without power for a minimum of 6 consecutive hours within a 24 hours before an automatic restart can be made.
- Units used in private saunas must be limited to an operating time of 6 hours, and an automatic restart is not permitted.

5.3 Connection for Orbit 12-18 kW

► Connection overview



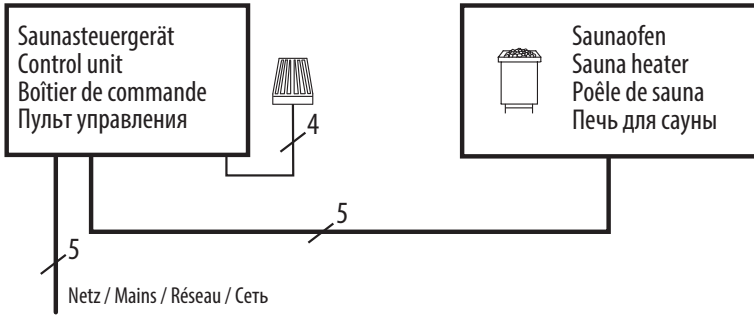
► Connection diagram



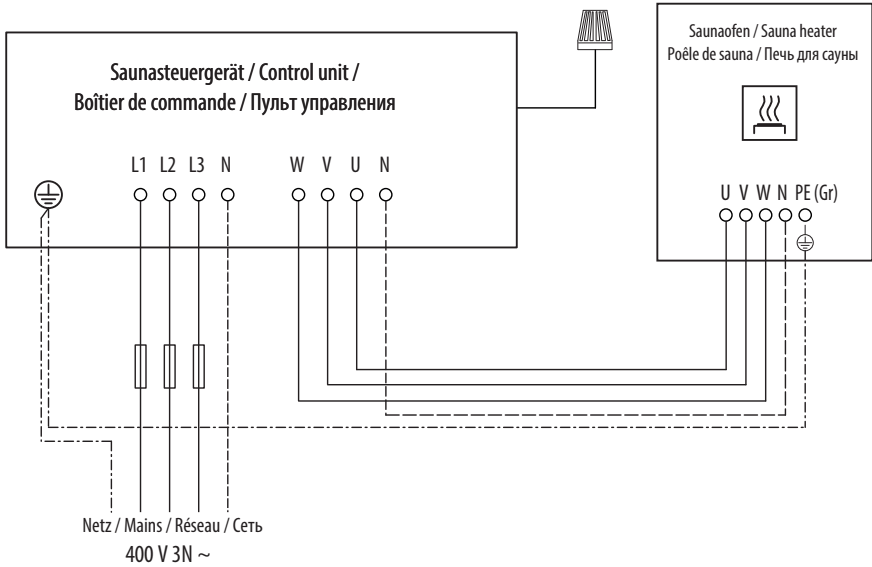
*) for all EOS control units except Compact D18/H18

5.4 Connection for Orbit 18 kW to Compact D18

► Connection overview

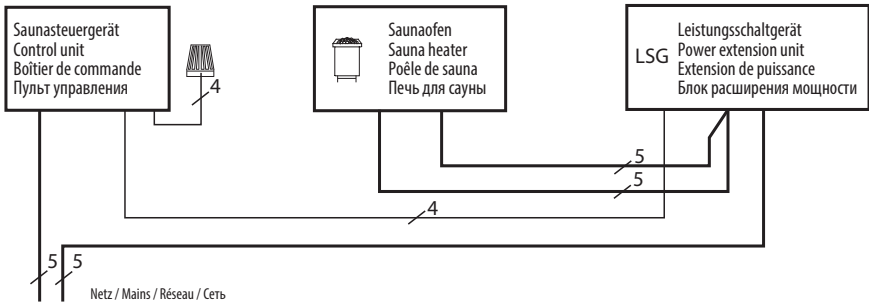


► Connection diagram

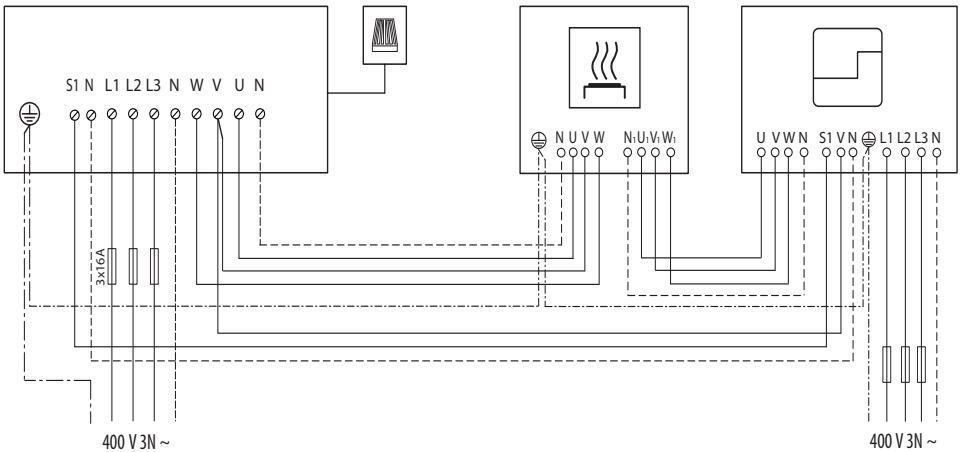


5.5 Connection for Orbit 21+24 kW

► Connection overview

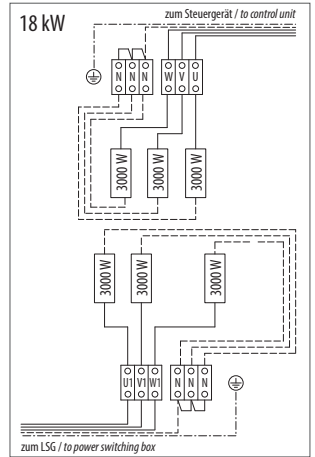
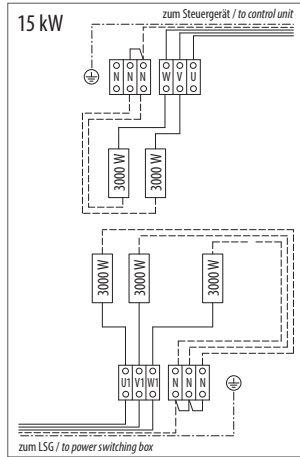
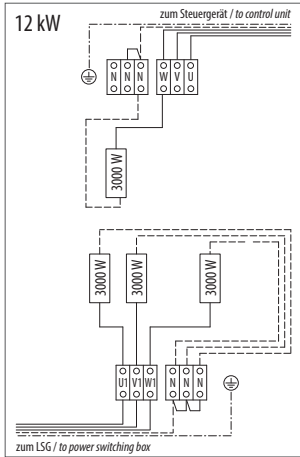


► Connection diagram

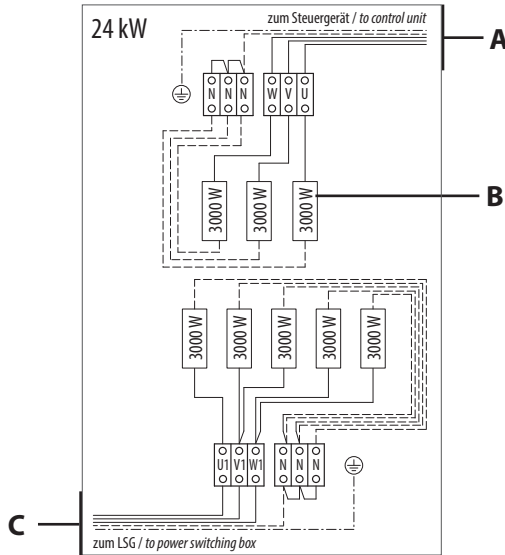
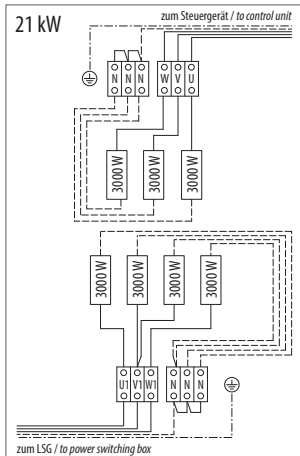


5.6 Internal wiring

► Orbit 12-18 kW



► Orbit 21-24 kW



- A. Connection to the sauna control unit
- B. Heating elements (RHK),
- C. Connection to the power extension box PEB.

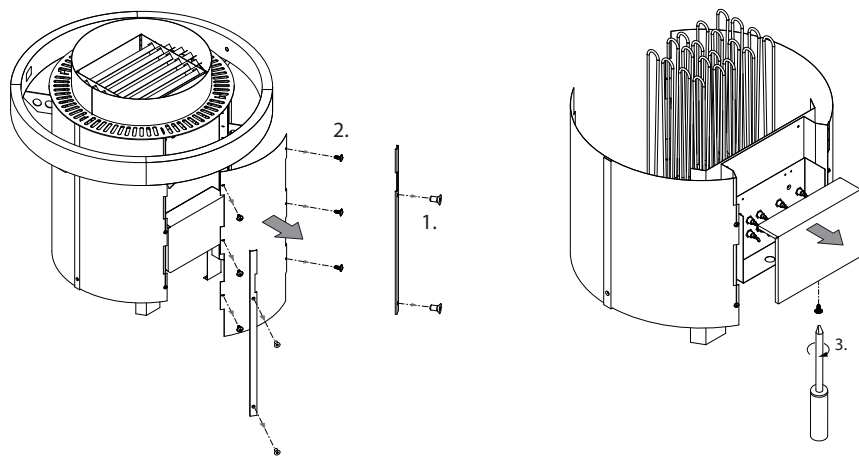
5.7 Establishing an electrical connection

The Orbit sauna heaters generally feature a two-circuit construction with two connection terminal blocks. Each heating circuit has a separate connection terminal block.

► Opening the terminal box

The terminal block compartment can be found on the heater side behind a removable curved cover panel.

1. First take off the vertical decoration strips on both sides of the cover panel.
2. Undo the fixation screws of the cover panel and take it off. In the bottom area you will find two terminal boxes for connections.
3. Undo the fixation screws of the terminal box covers and take off the covers from both boxes.



The terminal block with 3 heating elements (3 kW each) shall be connected to the sauna control unit.

The terminal block with more than 3 heating elements shall be connected to the PEB power extension box.

Make the connections as per connection and wiring diagram.

► Closing the terminal box

4. Mount the terminal box cover panel back on the terminal box.
5. Screw in the retaining screws and tighten them.

NOTICE

Material damage due to incorrect connection

Incorrect cable connection will damage the sauna control unit!

- Make sure to observe the correct connection of the terminal block to the sauna control unit and to the PEB box.

6. Installation

This chapter describes how to install the Orbit sauna heater. Prior to installing the unit, air inlets and outlets must be installed in the cabin. It may be necessary to mount additional fans in the inlets/outlets. All protective films must be removed.

NOTICE

Damage due to incorrect mounting location

The heater is not suitable for outdoor use!

- The heater must be operated only inside buildings and may not be exposed to environmental conditions such as extreme humidity and moisture or the possible formation of condensation or corrosive substances in the ambient air, as well as other weather conditions.
- The heater is not designed to be installed or set up in an alcove or under a bench or sloping roof.

6.1 Requirements for the sauna cabin

The cabin must be planned and installed according to specifications before the heater is installed.

All electrical installations laid inside the cabin must be suitable for a temperature of at least 170°C. All lines must be routed in such a way that they are well-protected, e.g. in a cable duct.

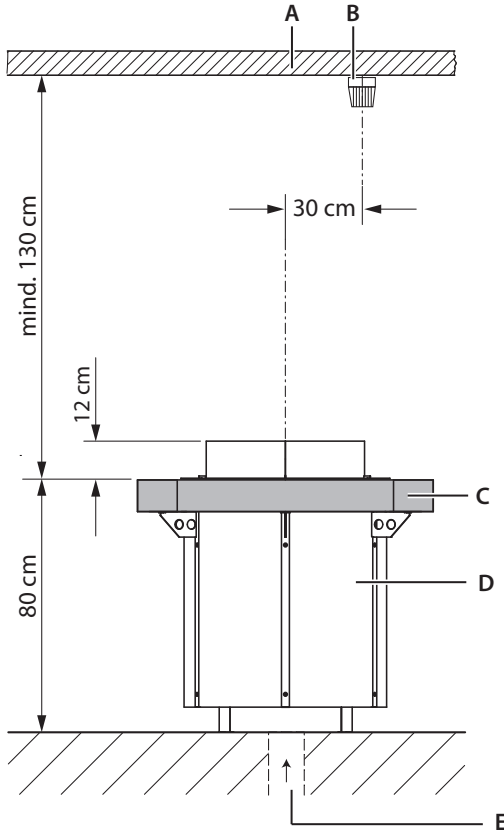
If single-core lines are used as connecting cables, they must be protected by a flexible metal hose that is connected to the protective conductor.

In general, it should be noted that the sauna heater must not be set on a floor made of highly flammable material such as laminate, flooring made of plastic material, etc. Ceramic tiles are recommended as a flooring option. Floor heating in the sauna cabin increases the temperature of the floor's surface temperature.

► Installation site

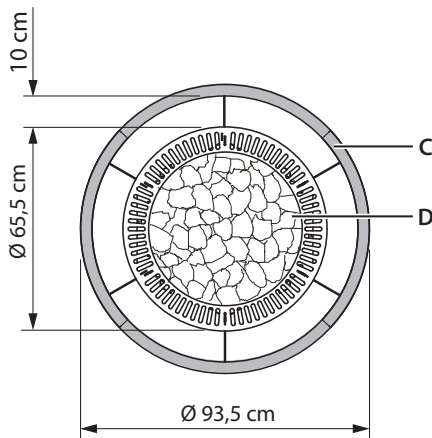
- Ceiling height of at least **2,10 m**
- Distance between heater's top and sauna ceiling at least **130 cm**.
- Distance between heater and cabin wall at least **10 cm**
- Distance between heater and bench at least **10 cm**
- The installation height of the safety guard must not be higher than the heater's top.
- The required heater's power depends on the sauna volume. See chapter 4. Technical Data.

► Dimensions and safety gaps



- A. Sauna ceiling
- B. Temperature sensor
- C. Safety guard rail
- D. Sauna heater
- E. Air inlet*

*Air supply by installation in the middle of the sauna through an air channel, if necessary mechanical ventilation



6.2 Air inlet and outlet

WARNING

Fire hazard from overheating

The heater can overheat if the air supply is insufficient. There is a risk of death due to fire.

- Ensure that the air inlets and outlets provide sufficient ventilation. Install a fan if necessary.
- Start the sauna only after all air inlets and outlets have been opened.

NOTICE

Heating process takes too long

If the heat-up process takes too long time, one common reason can be that the heater has an insufficient fresh air supply.

- The sauna cabin air exchange rate must be at least 5 times per hour.

Air inlets and outlets must be installed in the cabin to ensure a sufficient air flow in the cabin and to prevent the heater from overheating.

The required size of the air inlets and outlets depends on the heater output; see 4. Technical data.

Depending on the location of the heater, the air inlet must be installed behind or below the heater.

- Heaters stands directly in front of the sauna wall,
- Heater is located in the middle of the cabin or in front of a glass wall.

► Heater stands in front of the sauna wall

The air inlet must meet the following criteria:

- Location: Behind the heater,
- Height: ~10 cm above the cabin floor

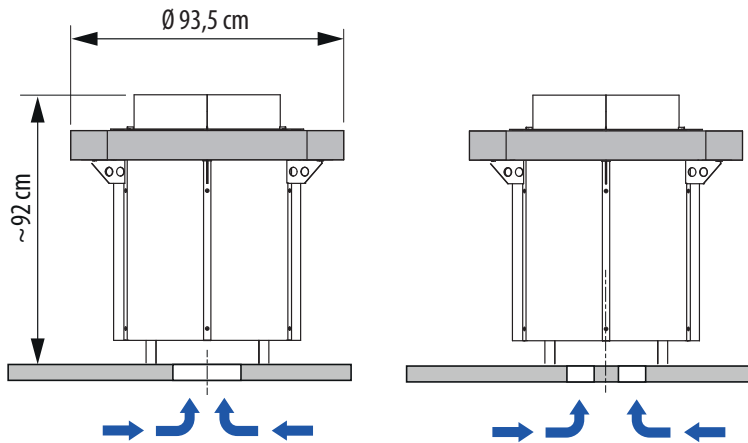
If the natural air flow is insufficient, a fan should be installed to the air outlet, as necessary.

► Heater is located in the middle of the cabin or in front of a glass wall

The air inlet can be either a large opening or two small openings.

The air inlet must meet the following criteria:

- Location: Below the heater
- A duct directs fresh air to the opening or openings.
- If the natural air flow is insufficient, a fan may need to be installed at the beginning of the duct or at the air outlet side.



6.3 Specifications for the control unit

Observe the operating conditions for the control unit to ensure that the sauna cabin's temperature control works properly. The installation site must be selected accordingly.

Specifications can be found in the installation instructions for the control unit or in the instructions provided by the manufacturer of the control unit.

6.4 Installing the temperature sensor in the cabin

The temperature sensor should be mounted on the sauna ceiling as indicated in the drawing in the chapter 6.1. The connection of the sensor is described in the installation manual of the sauna control unit.

6.5 Mounting the heater

The heater is supplied mounted and packaged on a pallet.

Once the cabin is ready, the heater shall be placed on a pre-defined installation place. Fill the sauna stones only after the heater has been connected and installed at its final place.

Three people are required to carry the heater.

6.6 Heater guard rail installation (optional)

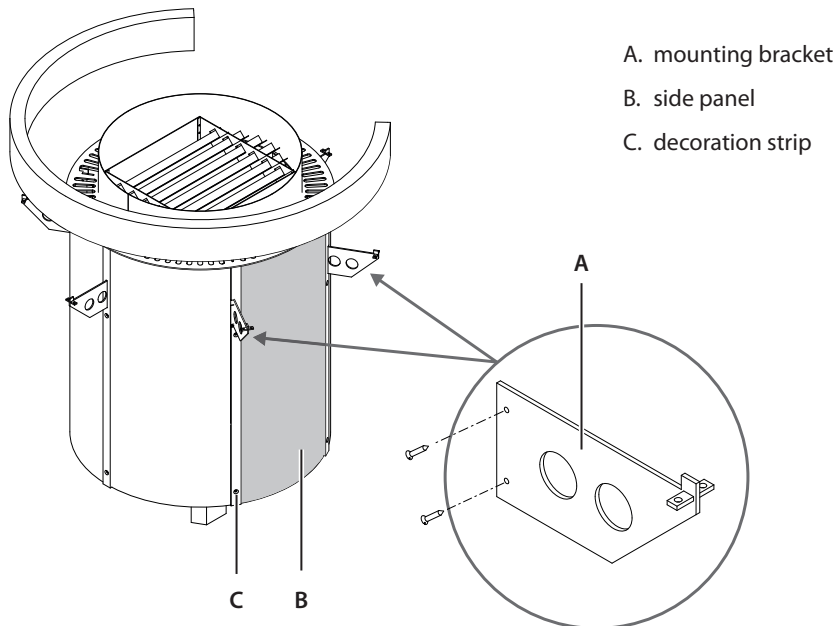
Heater guard rail is optionally available and can be purchased separately in various wood sorts. The rail is available in 360° or 270° versions.

The guard rail mounts on the heater using the supplied mounting brackets. Two brackets are pre-mounted on the heater and the other four are supplied separately.

At first mount four mounting brackets on the heaters sides. Proceed as follows:

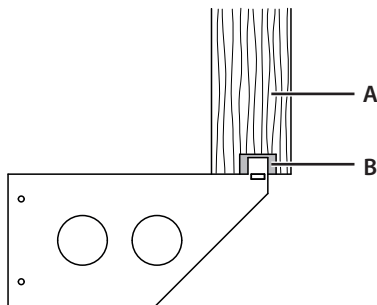
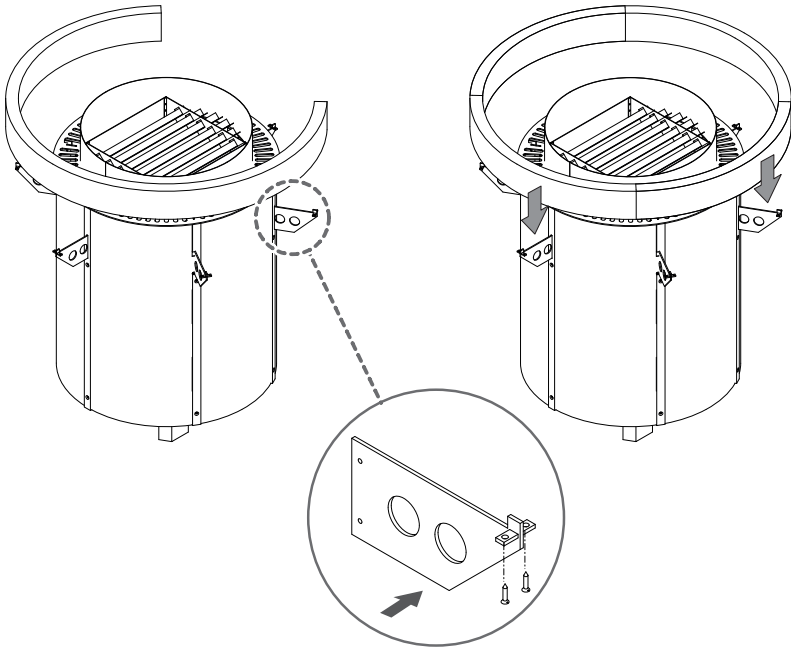
- Take off the vertical side strips where the later the brackets shall be mounted (unscrew 2 screws to take the strip off), then take off the two smaller side panels (see the below image - grey marked panel).
- Now mount the brackets to the heater frame (2 pre-drilled holes) using 2 supplied screws.
- Mount both side panels back in their original position, then mount the vertical decoration strips. Pay attention to arrange the strips so that their cut-outs match the brackets.

Note: If you wish to use the Orbit heater without the guard rail you will need to remove the two pre-mounted brackets. For this you will need to take off the corresponding vertical strips and side panels as described above and then mount them back in reverse order. See the below given drawing for installation details



After the mounting brackets have been installed you can proceed with installation of the rail.

- Place the guard rail from top down, so that the groove on the bottom side of the rail get on the protruding hooks of the mounting brackets.
- Screw each bracket to the rail with two screws. Verify that all connections are tight and the rail is reliably mounted.



Ansicht **A**
(Ofenschutz im Schnitt)

A. Ofenschutz
B. Nut im Ofenschutz

7. Commissioning

Before the heater can be commissioned (switched on), it must be filled with sauna stones, which are available as optional accessories.

Before switching it on, ensure that the air inlets are free of lint. Remove any lint with a moist towel.

The heater is switched and controlled via the control unit. A power extension unit (PEB), if available, will be switched together with the sauna control unit.

WARNING

Fire hazard



Objects placed on the heater could catch fire. Herbs or similar substances used for aroma infusion purposes, which are located near the heater, could catch fire.

- Inspect the cabin prior to each use.
- Commission the cabin only after all air inlets and outlets have been opened.

WARNING

Fire hazard from overheating

Operating the heater without stones could cause fire or damage to the heater. Stones that are positioned too close together in the heater prevent hot air from being exhausted. This leads to overheating of the heater.

- Start the heater only if it has been filled with stones.
- Refer to the chapter Installation, section “Filling the stones”.

7.1 Starting the heater

A slight odour may occur the first time the cabin is switched on because the heating elements get heated for the first time. The odour ceases upon continued operation of the heater.

► Switching the sauna heater

1. Use the control unit to select a suitable program.
2. Switch the heater on or off through the sauna control unit.

7.2 Remote switching

If you switch on the heater using the remote control, ensure that no objects are placed on the heater. A suitable safety system, for example EOSafe D/L, can be used to prevent this.

7.3 Water splash

Before the first water splash can begin, the cabin must be sufficiently heated. The temperature in the cabin is controlled from the control unit via the temperature sensor. The control panel indicates when the desired temperature has been reached.

WARNING

Fire hazard from overheating

Incorrectly diluted sauna essences, essential oils or herbs can catch fire.

- When preparing the water for a splash, follow the instructions regarding quantity as specified on the sauna essence packaging.
- Never add more sauna essence or essential oils to the infusion water than the amount indicated by the manufacturer.
- Never use alcohol or pure concentrate.
- Do not add herbs to the water or on the stones.
- Pour the water over the stones only.

Pour the water slowly and evenly over the stones.

As the hot air rises, steam is distributed evenly in the cabin to create a pleasant infusion experience. Please note that the sauna stones must be reheated after each water splash to generate an intense burst of steam.

After each water splash, wait approx. 10 minutes before starting the next one. This time is needed for the sauna stones to reheat.

Recommendation: During a water splash, no more than approx. 100 ml of water per m³ cabin volume should be vaporised.

8. Maintenance

This sauna heater is made of corrosion resistant materials. To ensure a long service life, take care of and perform regular maintenance on your sauna heater.

Ensure that openings in the intake area and heat reflectors are never blocked. These can easily become blocked with lint and dust as fresh air is drawn in. This limits the air convection ability of the sauna heater and could lead to impermissible temperatures. Clean and/or descale the units as needed.

If you do not use your sauna for a longer period of time, ensure that at the time of recommissioning no towels or other objects are lying on the sauna heater or vaporiser.

Contact your sauna retailer or the manufacturer directly if you notice malfunctions or signs of wear and tear.

8.1 Cleaning

The heater must be cleaned regularly. The cleaning frequency depends on how often it is used. Clean the heater only with household cleaners.

CAUTION

Risk of injury from sharp edges

- Use suitable personal protective equipment, e.g. gloves, when cleaning parts with sharp edges.

► **Cleaning the heater**

1. Switch off the heater through the control unit. Allow the heater to cool down completely.
2. Clean the outer surfaces of the heater as necessary. Use only household cleaning agents.
3. Remove lint and dust from openings and heat reflectors. Openings can easily become blocked with lint and dust as fresh air is drawn in. This limits the air convection ability of the heater and could lead to excessive temperatures.

8.2 Sauna stones

Sauna stones are a product of nature. Sauna stones must be replenished or reshuffled regularly depending on the intensity of use.

The process of heating and cooling can make the stones brittle. Particular damage to the sauna stones can be caused by aggressive sauna essences, causing them to disintegrate over time. Small particles can break off from the stones. The gaps between the stones also become smaller which means that hot air can no longer rise between the stones. Check the sauna stones regularly and reshuffle them. Replace damaged stones. Please observe the following intervals.

| Commercial use | Private use |
|------------------|---------------|
| Every 2-3 months | Once per year |

Use only natural sauna stones when you replace the old stones with new ones. Due to their roughness, they produce a better water splash effect than ceramic sauna stones.

► Reshuffling the sauna stones

1. Switch off the heater through the control unit.
2. **CAUTION!** Stones may be hot. Allow the heater to cool sufficiently before you start to replace the stones. Remove each stone individually.
3. Check each stone for damage. Sort out any stones with notable damages.
4. Rinse all stones with cold water.
5. Place the stones loosely so that there is enough space between them for air to circulate sufficiently.

Recycling



Devices or lighting elements that will not be used any longer have to be handed in at a recycling station according to regulation 2012/19/EU.



Do not dispose it with the normal household waste.

Packaging

The packaging of the unit can be completely separated for disposal and recycled. The following materials are used in the packaging:

- Paper/cardboard
- Plastic foil / plastic

Electronic waste

Electronic waste must be disposed of at the designated local collection point for electronic waste.

Additional disposal note for commercial users:

Further disposal instructions can be found under the link www.eos.sauna.de/recycling

Service Address

EOS Saunatechnik GmbH
Schneiderstriesch 1
35759 Driedorf
Germany

Tel: +49 (0)2775 82-514
Fax: +49 (0)2775 82-431
service@eos-sauna.de
www.eos-sauna.com

Please retain this address together with the installation guide for further references.

To help us answer your questions quickly and competently please provide the information printed on the type shield including the model, item no. and serial no., in all inquiries.

Date of sale:

Stamp and signature of the authorized dealer:

General Terms and Conditions of Service

I. Scope

Unless otherwise agreed in writing in a specific case, these terms and conditions of service shall apply to service operations, including examining and repairing complaints. All our existing or future legal relationships shall be governed solely by the following terms and conditions of service. Our recognition of any conflicting terms and conditions of the Ordering Party shall be conditional upon our having given our express written consent to their applicability. We hereby expressly object to any terms and conditions of the Ordering Party contained in its General Terms and Conditions of Business or order confirmation. If order confirmations or deliveries are accepted without reservation, this shall not be deemed to constitute recognition of such terms and conditions. Any ancillary agreements or amendments must be confirmed in writing.

II. Costs

The Ordering Party shall bear the following costs in connection with the service operation:

- De-installation/installation and electrical works (connection / disconnection).
- Transportation, postage and packaging.
- Function testing and troubleshooting including inspection and repair costs.

There shall be no third-party billing.

III. Obligations / Ordering Party's cooperation

The Ordering Party shall provide free-of-charge assistance to the manufacturer in carrying out the service operation.

By an accepted warranty claim the manufacturer shall provide the required replacement parts to the Ordering Party free of charge.

IV. Service visit by the manufacturer

In the event that it is essential that a manufacturer employee carry out the service operation on site, this must be agreed in advance. Where the main reason for the service call is not the fault of the manufacturer, any costs incurred shall be recharged to the Ordering Party after the service visit and shall be paid as per agreed payment terms.

V. Liability

The manufacturer shall assume liability in accordance with the currently applicable statutory regulations. The packaging for all of our products is designed for the shipping of individually packed

goods (pallet). We expressly point out that our packaging is not suitable for individual shipments via parcel post. The manufacturer shall accept no liability for damage incurred as a result of improper packaging in an individual shipment.

VI. Manufacturer's Guarantee

The manufacturer's guarantee shall apply only in the event that installation, operation and maintenance have been carried out in accordance with the manufacturer's specifications contained in the installation instructions and instructions for use.

- The guarantee period shall commence from the date on which proof of purchase is provided and shall be limited, in principle, to 24 months.
- Guarantee services shall be performed only if the original proof of purchase relating to the equipment can be presented.
- Any and all guarantee claims shall become void if modifications are made to the equipment without the manufacturer's express consent.
- Any guarantee claim shall likewise become void in the case of defects that arise due to repairs or interventions made by unauthorized persons or due to improper use.
- In the case of guarantee claims, the serial and article numbers must be indicated together with the product name and a meaningful description of the fault.
- This guarantee shall cover defective equipment parts, with the exception of usual wear parts. Wear parts are, among others, lamps, glass parts, heating elements and sauna stones.
- Only original replacement parts may be used within the warranty.
- Service visits by outside companies shall require a written order to be issued by our service department.
- The equipment in question shall be sent to our service department by the Ordering Party and at its expense.
- Electrical installation and connection works in the event of service or replacement shall be carried out at the Customer's expense and shall not be borne by the manufacturer.

Complaints in respect of our products shall be reported to the responsible authorized dealer and shall be exclusively handled via the latter.

The manufacturers General Terms and Conditions of Business, which can be found at www.eos-sauna.com/agb, shall apply in addition to the foregoing terms and conditions of service.

As of 08/2018