

EOS Mill Wheel

for Mill-Sauna



Installation and operating instruction

Made in Germany

English

Table of Contents

Scope of delivery	4
Important Notes.....	5
Installation	6
Align mill	6
Install Cascade	7
Install Water Tank	7
Set up Fixed Water Connections	8
Set up Connection Fixed Water Connection - Water Tank.....	8
Connect Fixed Water Connection with Water System On-Site.	9
Construction overview.....	10
Installation and Connection of Control Unit.....	11
Wiring diagram	11
Installation.....	12
Connections control unit	12
Wiring diagram	13
Mounting of optional accessories	14
General security provisions	14
Commissioning.....	15
Mounting instructions for the remote control button (optional Item no. 94.4087).....	17
Wall mounting.....	17
Electric connection of the button	18
Maintenance.....	19
Adjusting the drivebelt tension.....	19
Dimensions.....	20
Installation Cascade and water gutter for Goliath.....	21
Recycling.....	22
Service Address:	22
General Terms and Conditions of Service	23

Dear customer,

You have purchased a technical device of premium quality which has been designed according to all current European safety standards and manufactured according to the quality standard EN DIN ISO 9001. For your information we created this detailed mounting and operating instructions. We would like to ask you to pay particular attention to our important notes highlighted with and to the specifications of the electrical connections

The mill wheel and the sauna heating device together make up our mill-sauna.

The sauna heater is not included in the scope of delivery and must be ordered separately.

Scope of delivery

At first, check device for any damages and for completeness. Any transport damages must immediately be reported to the shipping company or ask the firm responsible for delivery.

Scope of delivery includes:

- stand with column
- mill wheel
- water tank
- cascade
- control unit
- accessory bag

Important Notes

- Inappropriate installation or usage could cause fire hazard! Please read this mounting instructions carefully. Pay attention to all measurement specifications and the following notes.
- The mill wheel must only be used in connection with the sauna heating device EOS 34GM, EOS Goliath and the associated sauna control unit.
- The device has been designed for a connection voltage of 230 V ~ .
- The installation and the connection of the device and other electrical utilities must only be carried out by trained technicians. Here, it is especially important to abide by all protective measures necessary according to VDE 0100v. S49DA/6 and VDE 0100 Part 703/2006-2
- The mill-sauna will be connected to the power supply system via an earthed plug. All connecting lines to be passed inside the cabin must be suitable for an ambient temperature of min 140 degree. We recommend a silicone line. If single-wired lines will be used as connecting lines, they must be protected by bendable metal pipes
- Please see that the start button is located outside the cabin.

Installation

NOTICE

Notice

Prior to the installation of all individual components all protective foils must entirely be removed..

► Align mill

Put the stator with the column onto the desired place and align horizontally by means of the plate feet.

Use a water-level as supporting instrument.

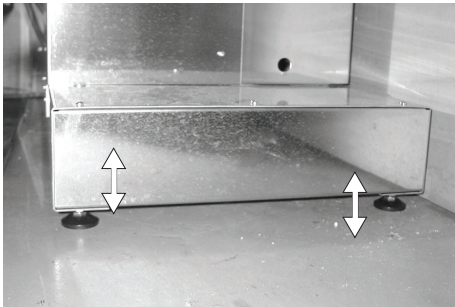


Fig. 1

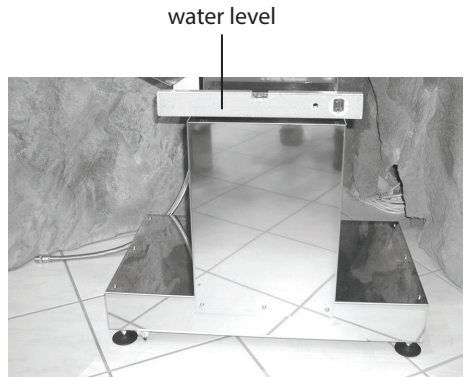
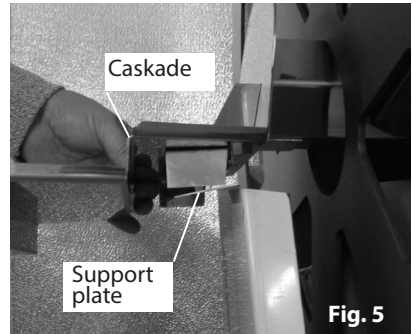


Fig. 2

► Install Cascade

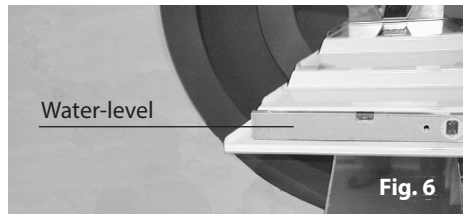
The cascade will be put onto the support plate.



IMPORTANT:

The cascade has to lay horizontally on the channel of the sauna heater.

We recommend to use a water level.

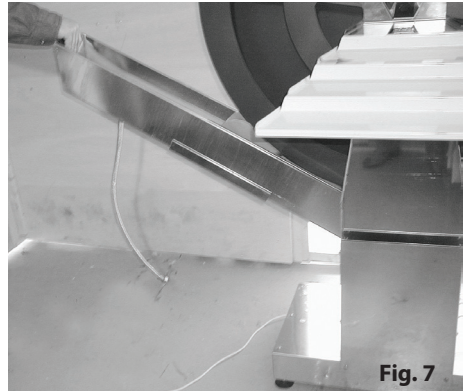


► Install Water Tank

Insert water tank sideways.

NOTICE

Consider position of shovel.



NOTICE

Non-contact run between cascade inflow channel and mill wheel **must be guaranteed** (approx. 5 mm tolerance).



By height adjustment of the cascade you can control the water quantity which flows across the cascade.

- high lying cascade: low water quantity
- low lying cascade: high water quantity

The height can be adjusted by means of the long holes.

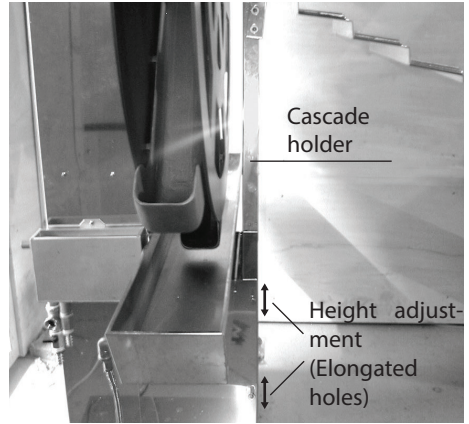


Fig. 9

► Set up Fixed Water Connections

NOTICE

Important notes

The regulations of EN 1717 and/or DIN 1988 Part 4 must be attended. Appropriate measures must be taken that prevent the water from running back into the drinking water pipeline. For this, especially pipe isolators or system isolators are appropriate. If necessary, ask your drinking water supply company or your local sanitary expert.

► Set up Connection Fixed Water Connection - Water Tank

Remove all specified parts from the accessory bag and mount them according to the figure.

Now, using the sealing band the T-piece will be screwed onto the 1/2" nipple on the underside of the fixed water connection, whereas the lock nut, including the inside sealing, will be screwed onto the nipple on the water tank.

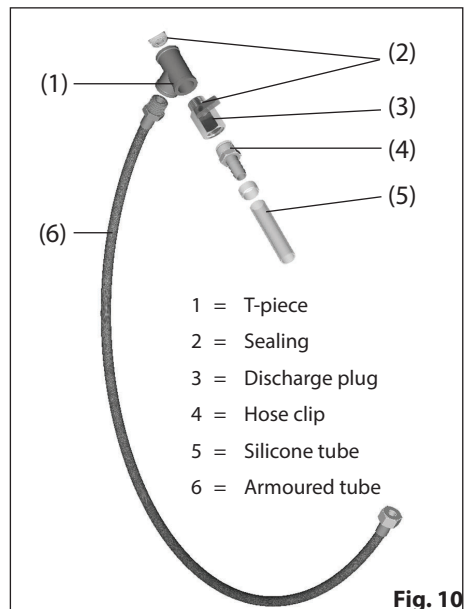


Fig. 10

► **Connect Fixed Water Connection with Water System On-Site**

NOTICE

Important notes

Between fixed water system and fixed water connection a shut-off cock must be installed. In case the fixed water connection will not be used for any length of time, the shut-off cock is to be closed.

Attention: Maximum operating pressure 6 bar.

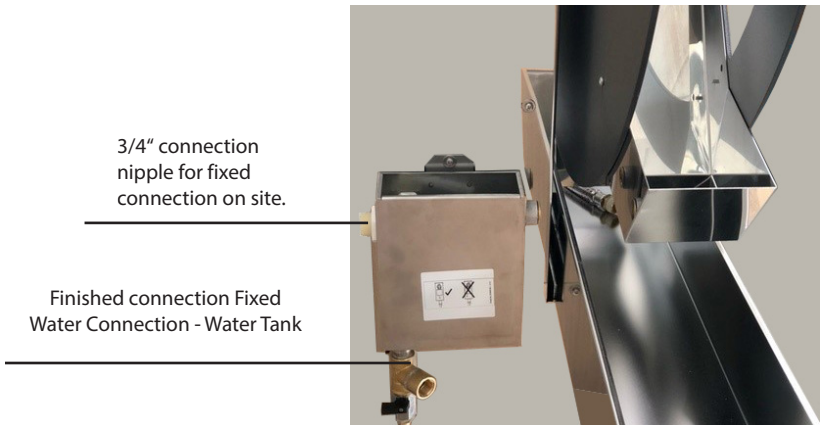


Fig. 11

The system may only be filled with water.

The water level in the water tank should be between 70 and 110 mm.



Water level
70 - 110 mm

Fig. 12

► **Construction overview**

The float (G) opens or closes the valve (C), to ensure that the tank remains full.
 The water level can be regulated by turning the float.

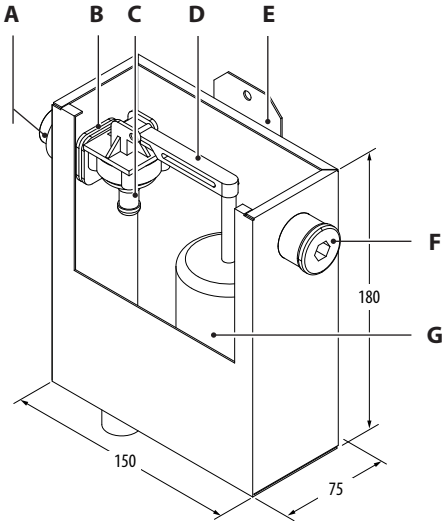


Fig. 12

- A. Reducing coupling $\frac{3}{4}$ " to $\frac{1}{2}$ "
- B. Seal $\frac{3}{4}$ "
- C. Valve with $\frac{3}{4}$ " connection
- D. Float lever
- E. Mounting bracket
- F. Overfill protection $\frac{1}{2}$ "
- G. Float

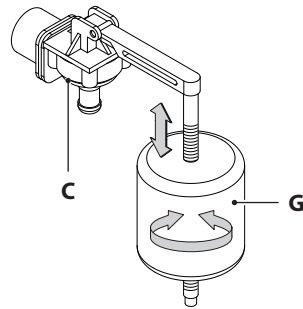


Fig. 13

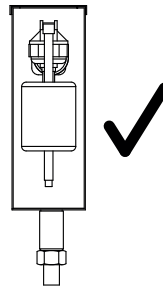


Fig. 14

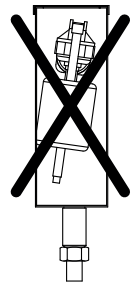


Fig. 15

Installation and Connection of Control Unit

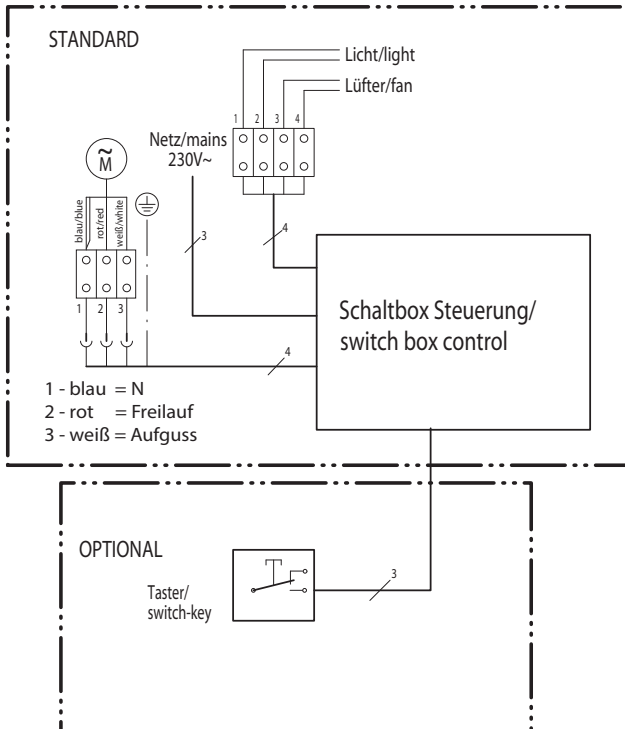
Mount the control unit outside of the cabin.

To this end, open the housing and fit it to the intended place with four screws.

Lay the fed line to the mill wheel and connect it to the motor connection on the rear of the mill wheel.

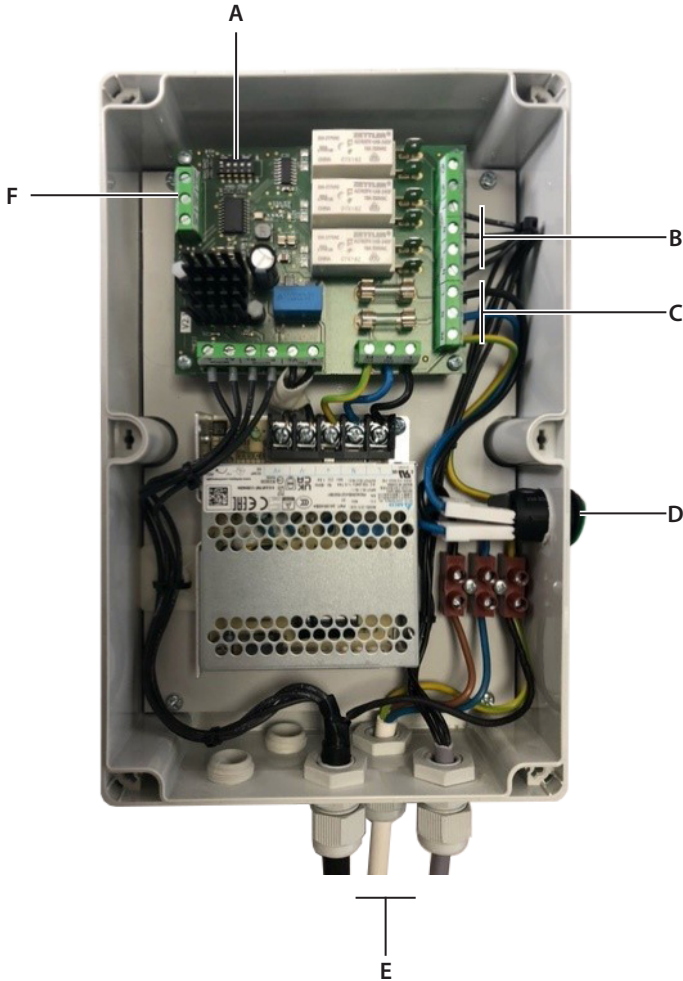
With the 4-wire line, we provide you with the usage of two potential-free contacts (Signal 1 and signal 2). With these contacts, you can switch installations at the place of installation, such as lights or ventilations up to a maximum power input of 2.5 A.

Finally, insert the shockproof plug into a plug and the mill wheel is ready for operation..



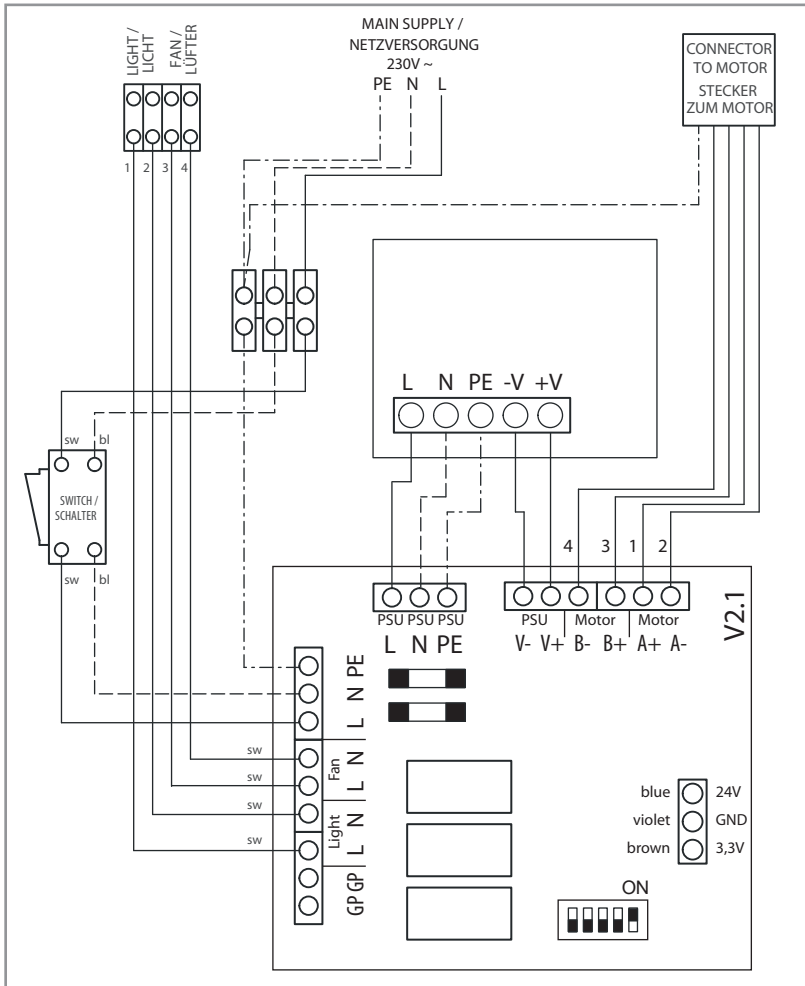
Installation

Connections control unit



- A. DIP-switch
- B. Terminals for light and fan
- C. Terminals for mains 230V
- D. Main switch ON/OFF
- E. Cable glands (drive / mains / light and fan)
- F. Terminals for the external push-button

Wiring diagram



Wiring diagram

Mounting of optional accessories

General security provisions

- The electrical installation must be performed by authorised electricians only.
- The provisions of your public utility and the relevant VDE provisions (DIN VDE 0100) must be observed.
- Beware, danger of life: Never perform repairs and installations yourself. The housing must only be removed by an expert.
- All wires of the system must be disconnected from the mains during installations and repairs, i.e. fuses or main switches must be deactivated..
- The security and installation notes of the sauna oven manufacturer must be observed.

WARNING

Risk of electric shock

A faulty electrical connection poses the risk of an electric shock. This risk remains also after completion of the installation work.

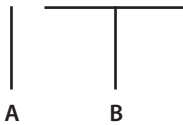
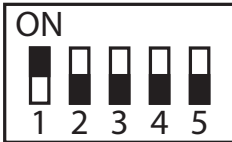
- Disconnect the system entirely from the mains supply.
 - If retrofitting is required, the housing must only be opened by trained personnel.
 - Electrical installation must only be carried out by a qualified and licensed electrician.
 - The unit must be connected to the power supply according to the circuit diagram and the terminal scheme.
-

Commissioning

The settings for water splash events are made with the DIP-Switch on the main board.

ATTENTION: Make settings (DIP-Switch) only with the system disconnected from power!

► DIP-Switch



A. Position ON

B. Position OFF

DIP-Switch

► Settings for the number of splashes and time intervals

Switch no.	Water splashes		Time			Number of splashes	Time interval
	1	2	3	4	5		
	OFF	OFF	OFF	OFF	OFF	4	60 min
	ON	OFF	OFF	OFF	OFF	2	60 min
	OFF	ON	OFF	OFF	OFF	3	60 min
	ON	ON	OFF	OFF	OFF	1	60 min
	OFF	OFF	ON	OFF	OFF	4	30 min
	ON	OFF	ON	OFF	OFF	2	30 min
	OFF	ON	ON	OFF	OFF	3	30 min
	ON	ON	ON	OFF	OFF	1	30 min
	OFF	OFF	OFF	ON	OFF	4	45 min
	ON	OFF	OFF	ON	OFF	2	45 min
	OFF	ON	OFF	ON	OFF	3	45 min
	ON	ON	OFF	ON	OFF	1	45 min
	OFF	OFF	ON	ON	OFF	4	15 min
	ON	OFF	ON	ON	OFF	2	15 min
	OFF	ON	ON	ON	OFF	3	15 min
	ON	ON	ON	ON	OFF	1	15 min

DIP-Switch - complete overview of settings

► Switching to an external push-button

Using the DIP-switch no. 5 you can set the operation control to be made from an external push-button.

- Switch 5 „ON“ - control from an external push-button. Settings made with switches 3 and 4 remain inactive.
- Switch 5 „OFF“ - time intervals will be controlled as per settings of the switches 3 and 4, as indicated in the general table.

Mounting instructions for the remote control button (optional Item no, Art.-Nr. 94 4087)

WARNING

The button must only be installed outside of the cabin. When using the button inside the cabin, there is a danger of burning!



WARNING

- Children should be supervised to ensure that they do not play with the unit.
- Protect the button from splash water.

► Wall mounting

Preferably chose the outside wall of the cabin for mounting. Observe the followin instructions for mounting:

Cut the two adhesive tape strips supplied into two equally long parts (40 x 20 mm).

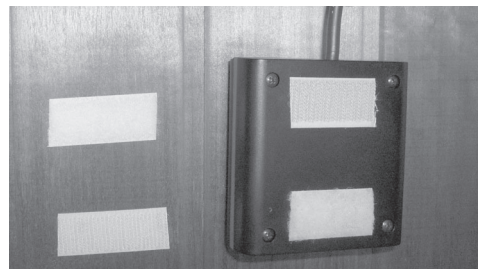
Now fi t the two adhesive tape strips at the rear of the button housing at the same distance.



Press the button housing with the affi xed adhesive tape against the wall in the desired place of mounting.

Now pull the button back off again and press the remaining adhesive tape strips down.

Then affi x the button again and lead the connection line to the controls.



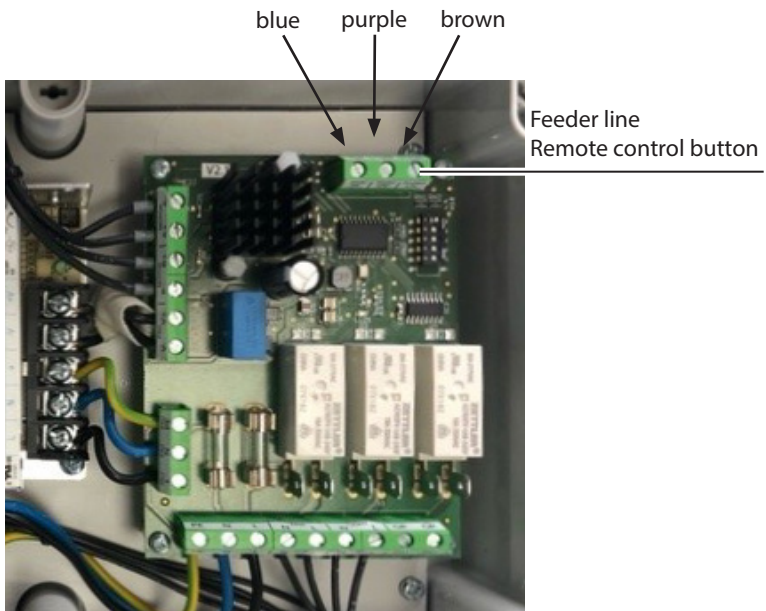
Electric connection of the button

⚠ WARNING

Risk of electric shock

A faulty electrical connection poses the risk of an electric shock. This risk remains also after completion of the installation work.

- Disconnect the system entirely from the mains supply.
- If retrofitting is required, the housing must only be opened by trained personnel.
- Electrical installation must only be carried out by a qualified and licensed electrician.
- The unit must be connected to the power supply according to the circuit diagram and the terminal scheme.



NOTICE

Important note

Only switch the mill on when the heater and sauna stones are at operating temperature. This takes approx. 45 minutes.

Switch the mill wheel on using the ON/OFF switch.

The programme procedure starts.

To use an optional remote start button, DIP switch 5 must be set to ON.

After every infusion, wait approx. 10 minutes until the next infusion. Only then have the sauna stones heated up properly.

Maintenance

► Adjusting the drivebelt tension

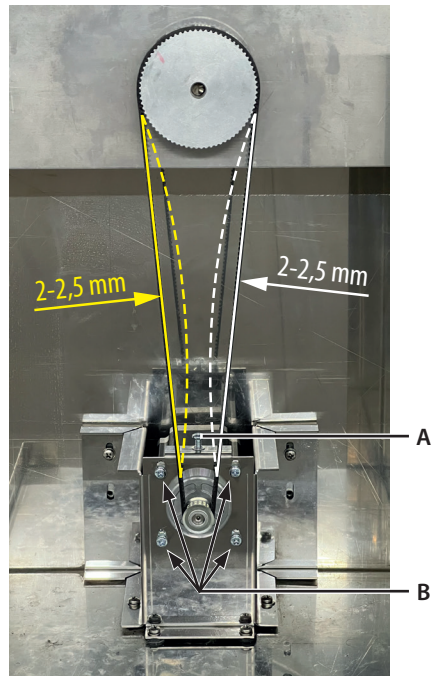
- First loosen the four mounting screws (B).
- Adjust the drivebelt tension using the adjustment screw (A).

NOTICE

The drivebelt may be compressed by a maximum of 5 mm under light pressure.

- Finally, tighten again the four adjustment screws of the motor.

The Watermill wheel, blades and cascade must be cleaned of limescale residues at least once a week.

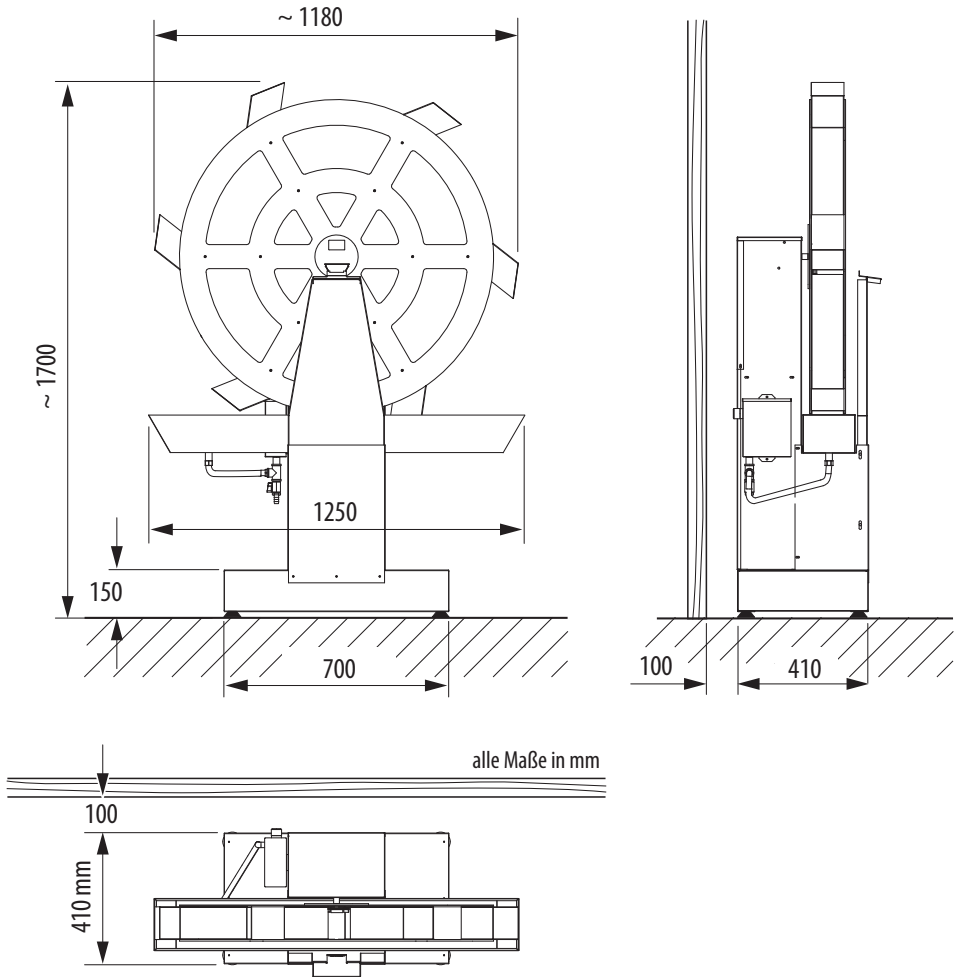


A. Adjustment screw

B. Mounting screws

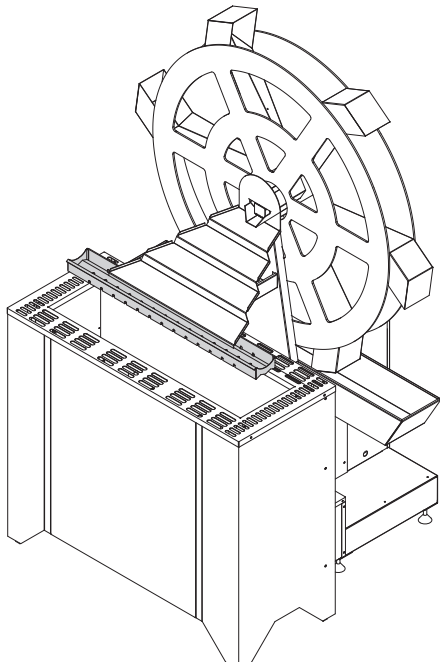
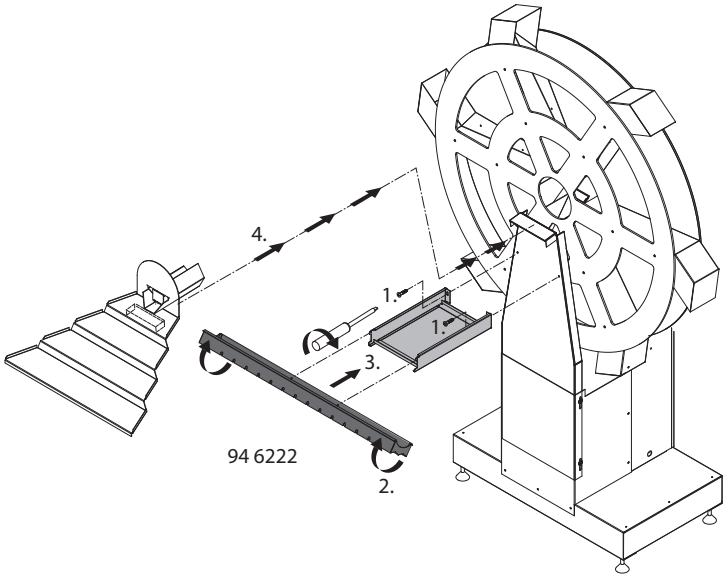
 Motor with drivebelt

► Dimensions



Installation

Cascade and water for heater EOS Goliath



Recycling



Devices or lighting elements that will not be used any longer have to be handed in at a recycling station according to regulation 2012/19/EU.



Do not dispose it with the normal household waste.

Packaging

The packaging of the unit can be completely separated for disposal and recycled. The following materials are used in the packaging:

- Paper/cardboard
- Plastic foil / plastic

Electronic waste

Electronic waste must be disposed of at the designated local collection point for electronic waste.

Additional disposal note for commercial users:

Further disposal instructions can be found under the link www.eos.sauna.de/recycling

Service Address

EOS Saunatechnik GmbH
Schneiderstriesch 1
35759 Driedorf
Germany

Tel: +49 (0)2775 82-514
Fax: +49 (0)2775 82-431
service@eos-sauna.de
www.eos-sauna.com

Please retain this address together with the installation guide for further references.

To help us answer your questions quickly and competently please provide the information printed on the type shield including the model, item no. and serial no., in all inquiries.

Date of sale:

Stamp and signature of the authorized dealer:

General Terms and Conditions of Service

I. Scope

Unless otherwise agreed in writing in a specific case, these terms and conditions of service shall apply to service operations, including examining and repairing complaints. All our existing or future legal relationships shall be governed solely by the following terms and conditions of service. Our recognition of any conflicting terms and conditions of the Ordering Party shall be conditional upon our having given our express written consent to their applicability. We hereby expressly object to any terms and conditions of the Ordering Party contained in its General Terms and Conditions of Business or order confirmation. If order confirmations or deliveries are accepted without reservation, this shall not be deemed to constitute recognition of such terms and conditions. Any ancillary agreements or amendments must be confirmed in writing.

II. Costs

The Ordering Party shall bear the following costs in connection with the service operation:

- De-installation/installation and electrical works (connection / disconnection).
- Transportation, postage and packaging.
- Function testing and troubleshooting including inspection and repair costs.

There shall be no third-party billing.

III. Obligations / Ordering Party's cooperation

The Ordering Party shall provide free-of-charge assistance to the manufacturer in carrying out the service operation.

By an accepted warranty claim the manufacturer shall provide the required replacement parts to the Ordering Party free of charge.

IV. Service visit by the manufacturer

In the event that it is essential that a manufacturer employee carry out the service operation on site, this must be agreed in advance. Where the main reason for the service call is not the fault of the manufacturer, any costs incurred shall be recharged to the Ordering Party after the service visit and shall be paid as per agreed payment terms.

V. Liability

The manufacturer shall assume liability in accordance with the currently applicable statutory regulations. The packaging for all of our products is designed for the shipping of individually packed

goods (pallet). We expressly point out that our packaging is not suitable for individual shipments via parcel post. The manufacturer shall accept no liability for damage incurred as a result of improper packaging in an individual shipment.

VI. Manufacturer's Guarantee

The manufacturer's guarantee shall apply only in the event that installation, operation and maintenance have been carried out in accordance with the manufacturer's specifications contained in the installation instructions and instructions for use.

- The guarantee period shall commence from the date on which proof of purchase is provided and shall be limited, in principle, to 24 months.
- Guarantee services shall be performed only if the original proof of purchase relating to the equipment can be presented.
- Any and all guarantee claims shall become void if modifications are made to the equipment without the manufacturer's express consent.
- Any guarantee claim shall likewise become void in the case of defects that arise due to repairs or interventions made by unauthorized persons or due to improper use.
- In the case of guarantee claims, the serial and article numbers must be indicated together with the product name and a meaningful description of the fault.
- This guarantee shall cover defective equipment parts, with the exception of usual wear parts. Wear parts are, among others, lamps, glass parts, heating elements and sauna stones.
- Only original replacement parts may be used within the warranty.
- Service visits by outside companies shall require a written order to be issued by our service department.
- The equipment in question shall be sent to our service department by the Ordering Party and at its expense.
- Electrical installation and connection works in the event of service or replacement shall be carried out at the Customer's expense and shall not be borne by the manufacturer.

Complaints in respect of our products shall be reported to the responsible authorized dealer and shall be exclusively handled via the latter.

The manufacturers General Terms and Conditions of Business, which can be found at www.eos-sauna.com/agb, shall apply in addition to the foregoing terms and conditions of service.

As of 08/2018