

PEB 18 / 18 H

Contactor box for power extension for sauna control units.

Contactor box with 18 kW switching capacity for power extension for sauna control units. Very compact, space-saving design and highly reliable construction.

Your benefits:

- New improved construction with space-saving design.
- Very low-noise operation.
- Elegant housing with two-part front cover.
- Durable, highly reliable construction.
- Fast and simple installation.
- Connections possible from the bottom and from the rear side.
- With integrated fuses for individual protection of all three phases (replacement fuses included in delivery).
- **PEB 18 H:** With 18 kW output for heater and 6 kW output for vaporizer (for commercial Bi-O sauna heaters).
- In combination with a 9 kW (10 kW) sauna control unit suitable for twin-circuit sauna heaters up to 27 kW (28 kW) power (with EOS Compact D18/H18 – up to 36 kW).
- Made in Germany quality from EOS.

Specifications and features:

Housing:	Shatter-resistant plastic, anthracite / grey with two-part front cover
Switching capacity:	18 kW (sauna heater) 6 kW (vaporizer)
Power supply:	400 V 3N ~ 50/60 Hz
Weight:	ca. 2,8 kg
Dimensions (W x H x D):	270 x 300 x 100 mm
Installation:	Wall-mounting
Cable connections:	bottom or rear side

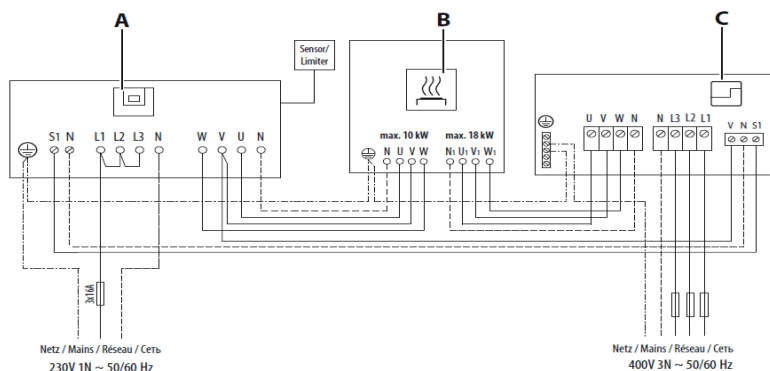


Service-friendly interior:

Simple, clearer arrangement of the installed components.
More space for connections thanks to the more compact design of the circuit boards.

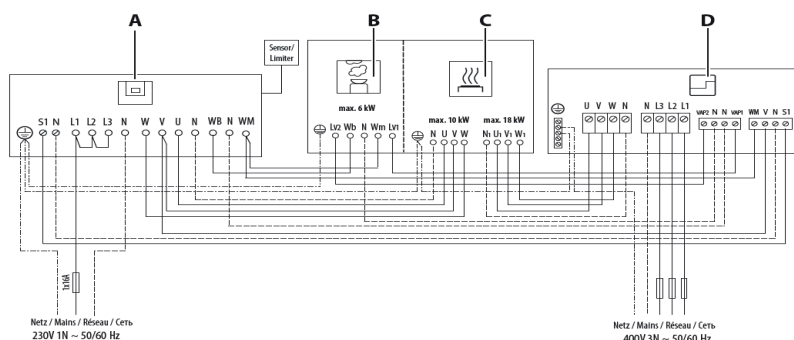
Connection plan

Connection example for PEB 18



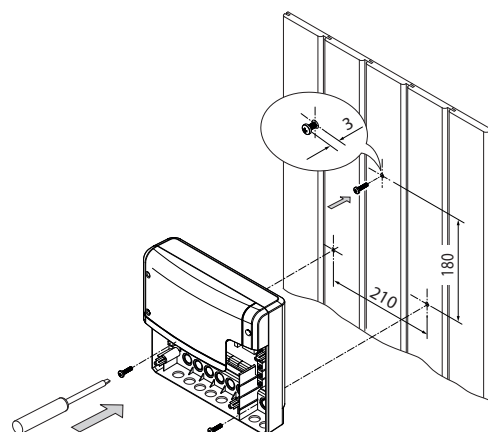
- A. Sauna control unit
- B. Sauna heater
- C. Power extension unit PEB 18

Connection example for PEB 18 H



- A. Sauna control unit
- B. Vaporizer, max. 6 kW
- C. Sauna heater
- D. Power extension unit PEB 18 H

Installation



Wall-mounting installation

Notice:

For PEB 18/18H, fuse links are required in accordance with the existing cable cross-sections on site. Fuse links are included in the scope of delivery!

Technical specifications

Item no.	Model	Power supply	Switching capacity	Dimensions W/H/D	Fuse protection for sauna heater	Ambient temperature (operation)	Weight without packing
94 8982	PEB 18	400 V 3N ~ 50/60 Hz	18,0 kW	27 / 30 / 10 cm	3 x 35 A	-10 to +35 °C	2,8 kg
94 8983	PEB 18 H		18,0 kW (heater) 6,0 kW (vaporizer)				