

EOS Touch 3

Smart touch-screen sauna control unit for dry & humid sauna operation.

Advanced, luxury class sauna control system with a large 7" touch-screen display panel and a separate relay box.

Easy, intuitive operation thanks to the unique graphic user interface. For residential and commercial use.

Features and benefits:

- Multifunctional, universal control system - can control sauna, infrared, steam room or hamam. Automatic interface adjustment.
- Up to 8 separate cabins can be controlled from one display panel (requires additional power boxes).
- 7" capacitive colour touch-screen display with interactive graphic user interface (adjustable designs).
- Software can be easily updated on site.
- Remote operation from mobile devices and BMS systems possible.
- Potential-free output for control of 3rd party equipment.
- Large scope of supporting functions: hysteresis adjustment, temperature offset, service intervals, desktop themes, etc.

Key Specifications:

General design:	Separate display panel and power box
Display panel:	7" capacitive color touchscreen panel
Temperature range:	86 - 194 °F (30 - 90°C) - dry sauna mode 86 - 158 °F (30 - 70°C) - steamy sauna mode
Sensor system:	Digital with safety temperature limiter, Option: digital humidity sensor
Power supply:	9 kW: 208 Y / 120 V AC, 60 Hz, 3N 9 kW: 240 / 120 V AC, 60 Hz, 2N 15 kW: 208 Y / 120 V AC, 60 Hz, 3N
Power output:	9 kW or 15 kW as shown above
Other outputs:	Lighting and fan, vaporizer (max. 3 kW)
Dimensions (HxWxD):	Display 142x210x42 mm / 5.6 x 8.3 x 1.6" Powerbox 250x485x100mm/9.8x19x3.9"
Potential-free contact:	Max. 15A, max. 30VDC / 250VAC (resistive)



Power box
wall-mounting



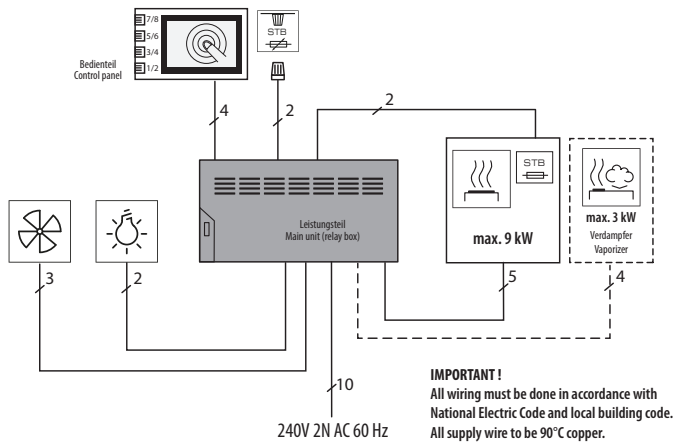
Display panel
Flush-mounted installation.
7" touch-screen display.
Black or white design.



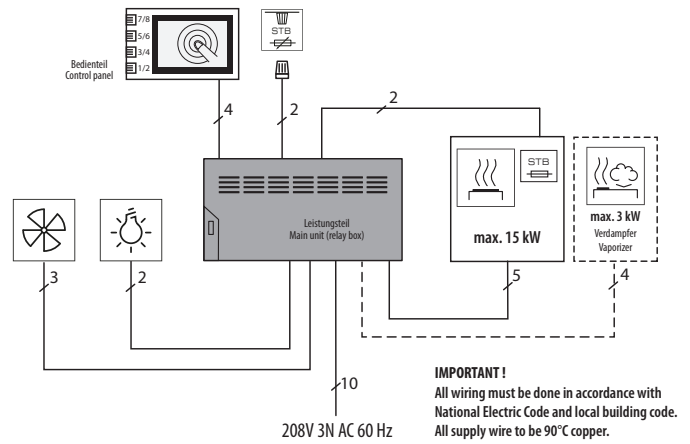
CONFORMS TO
UL STD 60730-1
60730-2-9
CONFORMS TO
CAN/CSA STD
E60730-1
60730-2-9

made in Germany

Connection overview 9 kW

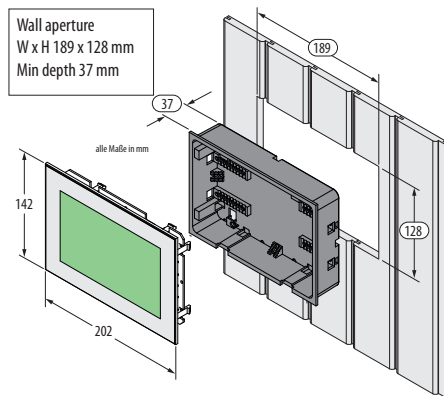


Connection overview 15 kW

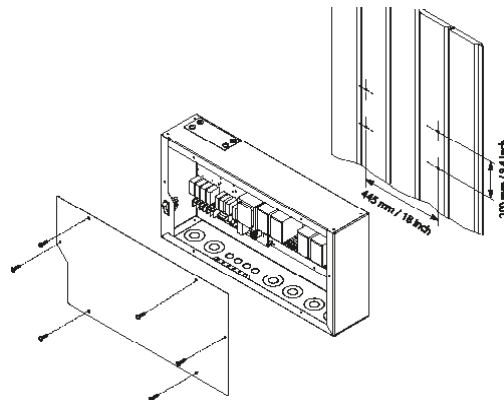


For detailed connection diagrams please refer to the installation manual

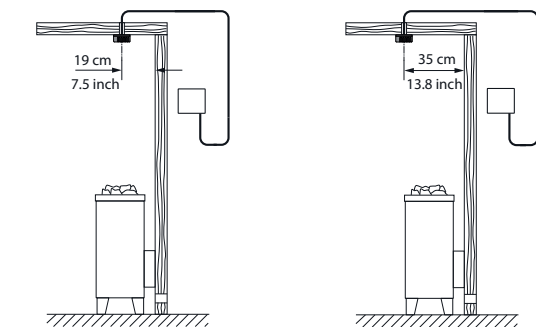
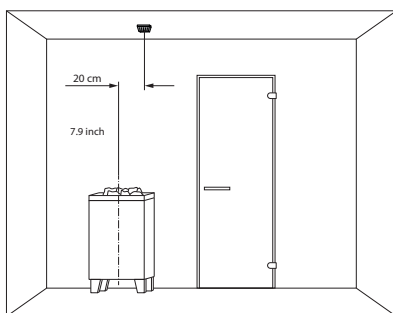
Control panel installation



Power box installation



Sensor installation



A Cabins < 2 x 2 m / 6.6 x 6.6 ft

B Cabins > 2 x 2 m / 6.6 x 6.6 ft

Note: sensor position may vary depending on the heater model

Specifications

Power supply and switching capacity	Temperature control range	Humidity control	Heating time limitation	Cabin light output	Fan output	Sensor system	Control panel (HWD)	Power box (HWD)
9 kW: 208 Y / 120 V AC, 60 Hz, 3 N 9 kW: 240 / 120 V AC, 60 Hz, 2 N 15 kW: 208 Y / 120 V AC, 60 Hz, 3 N Vaporizer: max. 3 kW	30°C–90°C / 86°F–194°F – Finnish (dry sauna mode) 30°C–70°C / 86°F–158°F – Bi-0 (steamy sauna mode)	Proportional to time (0 - 100%) or with humidity sensor (rel. %)	up to 1 h	120 V AC. Resistive loads min. 5 W - max. 100 W Inductive loads max. 60 VA	120 V AC, min. 5 W - max. 100 W	Digital, inc. 5 m cable. Humidity sensor optional.	142 x 202 x 42 mm 5.6 x 8.3 x 1.6" flush-mounting (128 x 189 mm wall aperture)	250 x 485 x 100 mm 9.8 x 19 x 3.9" wall-mounting