

EOS Pipe

Sauna heater for dry Finnish saunas. Wall-mounting model.

Luxurious compact size wall-mounting sauna heater for a traditional dry Finnish sauna.

Thanks to only 22 cm diameter EOS Pipe is very place saving, yet boasts with a 10 kg large rock basket. The installation is possible on a sauna wall or in corners.

Benefits and advantages:

- Elegant, distinctive style round-shape design.
- Matching style safety guard rail perfectly completes the design (optional accessory, direct mount on the heater).
- Choice of 3 finishes: matt black, anthracite (pearl effect) or Rust Marbel (red brown with pearl effect).
- Slim, place-saving design - only 22 cm diameter.
- Extremely durable 4 mm stainless steel wall with precise 3D laser cut openings - not only long-lasting but also improves heat storage and provides pleasant radiant heat.
- Easy to mount on a wall or in corners.
- Made in Germany quality from EOS.

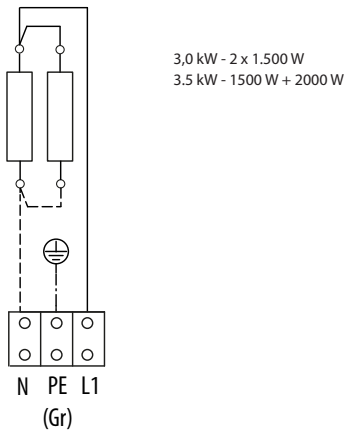
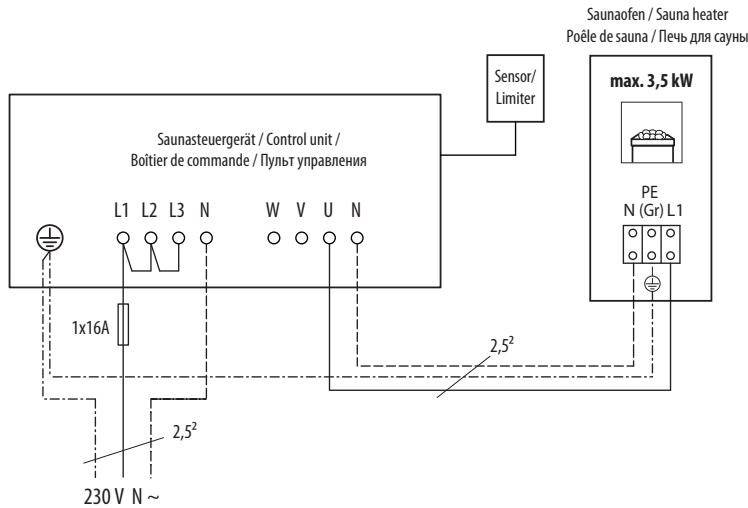
Specifications:

Housing:	4 mm stainless steel, choice of matt black, anthracite or rust brown finishes
Safety guard rail:	Stainless steel, matching finish (optional)
Stone compartment:	Stainless steel
Stone volume:	10 kg, included in delivery
Power:	3.0 kW or 3.5 kW
Power supply:	230 V 1N ~ 50/60 Hz
Dimensions:	Ø22 x 80 cm, 25 cm total depth
Mounting:	Wall-mounting, installation on a wall or in corners possible (incl. mounting brackets)



Example: EOS Pipe with anthracite pearl effect finish and optional guard rail

Connection and inner wiring diagram



Spare parts

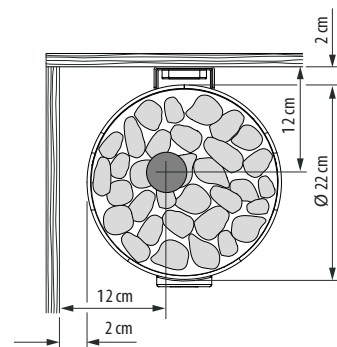
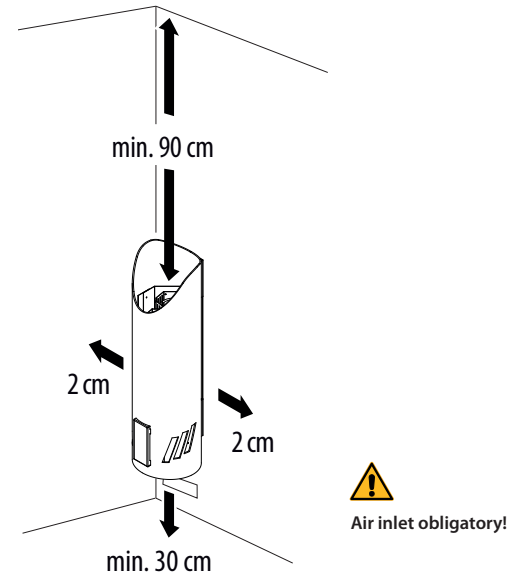
Description	Item no.
Heating element for 3,0 kW (1500 W)	2001 7027
Heating element for 3,5 kW (2000 W)	2001 6544

Technical specifications

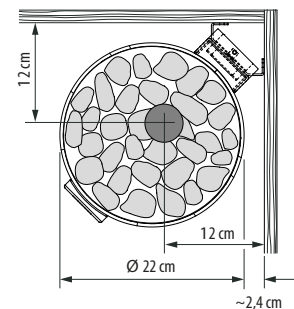
Power output	Electrical connection	Fuse protection (control unit)	Dimensions H/W/D, in cm	For sauna cabin size	Min. size of air inlet and outlet	Weight without rocks	Stone filling	Connection control unit - sauna heater
3.0 kW	230 V N ~ 50/60 Hz	1 x 16 A	Ø20 x 80 cm 25 cm total depth	approx. 3 - 4 m ³	20 x 4 cm	25 kg	approx. 10 kg	3 x 2,5 mm ²
3.5 kW				approx. 3 - 4.5 m ³				

All cross sections of a connection cables are minimum diameters in mm² (copper wire). Make sure to observe the ground clearance.

Minimum clearances



Wall mounting



Mounting in corners